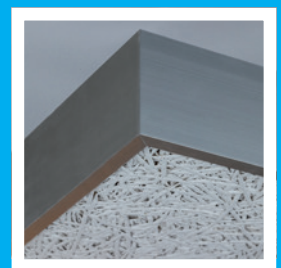




KNAUFCEILING
Solutions

DATASHEET

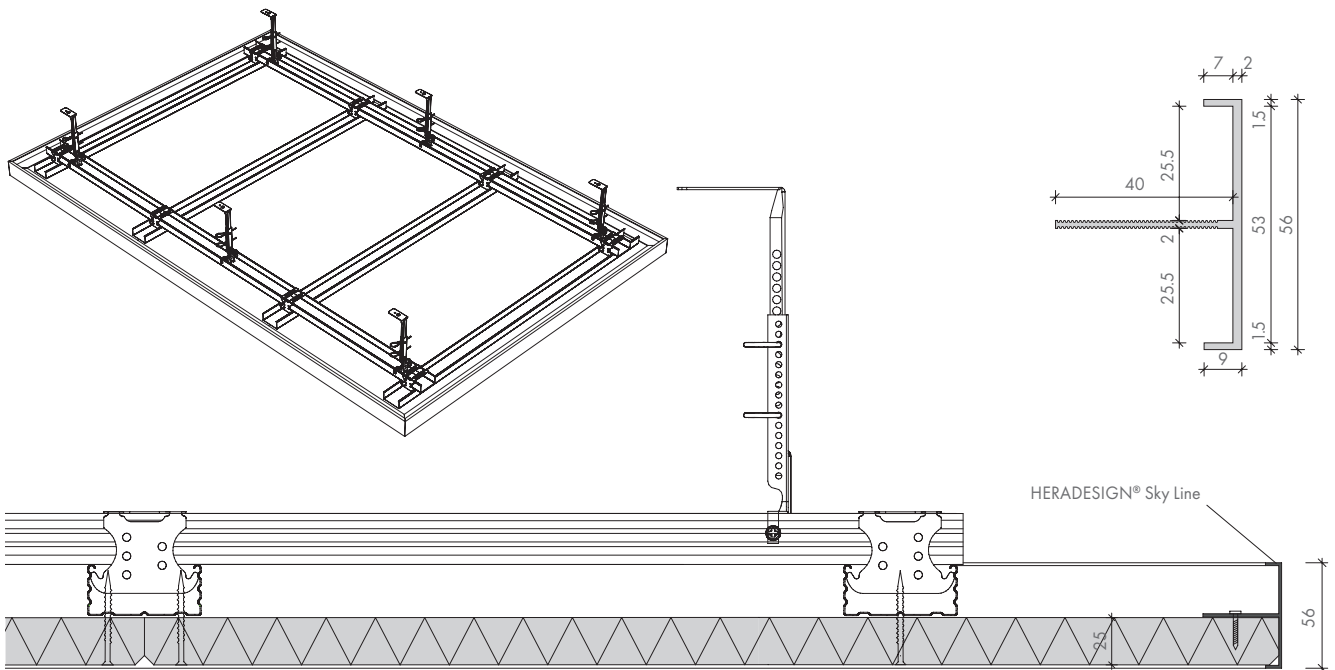
HERADESIGN[®] Sky Line



HERADESIGN[®] Sky Line is an anodised profile edge piece, that can be fixed to the sides of the HERADESIGN[®] Ceiling canopy.

- HERADESIGN[®] Sky Line is available with a HERADESIGN[®] Superfine, Fine, Macro, Micro or Plano surface
- Quick and easy to install

Surface		HERADESIGN® Fine, Fine A2	HERADESIGN® Superfine, Superfine A2	HERADESIGN® Micro	HERADESIGN® Macro	HERADESIGN® Plano
Edge details		AK-01	GK	AK-02/5		
Thickness		25mm				
Dimension of profile (mm)		56/42mm, profile length 3000mm				
System		Symmetrical profile for HERADESIGN® panels with 25mm thickness. Double layer grid system made of metal or wood for screw mounting.				
Profile weight		0.54 kg/m				
Fire reaction		For suspended ceiling constructions and wall installations without fire exposure.				
Humidity resistance		Not suitable for indoor pools, outdoor applications and ball impact resistant constructions.				
Note		Powder coating upon request				



Products may vary from country to country. Please contact your local sales representative. For further information and legal notice, please visit our website.