

Components for concealed / semi-concealed tile & plank systems - System A | F | I

Key features

- Z-profiles or C-profiles for a monolithic appearance in corridor installations
- Installed with T24 grid or Bandraster for semi-concealed appearance in room installations
- Accessible system with SL2 planks

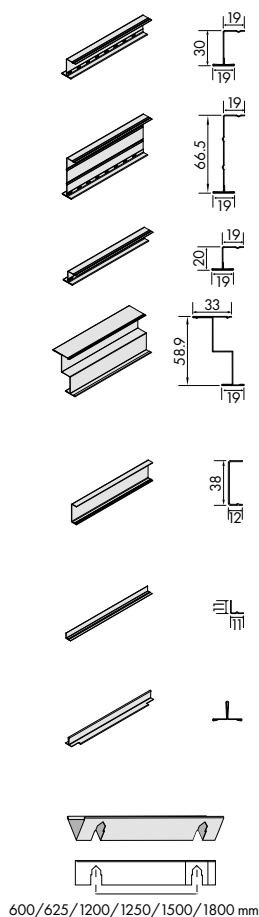
Application areas

- Retail outlets / Industrial manufacturing / Circulation areas

Physical data

- Material: galvanised steel
- Surface finish: galvanised / unpainted
- Colour: n/a (Z-Bar)

CONCEALED | Profile

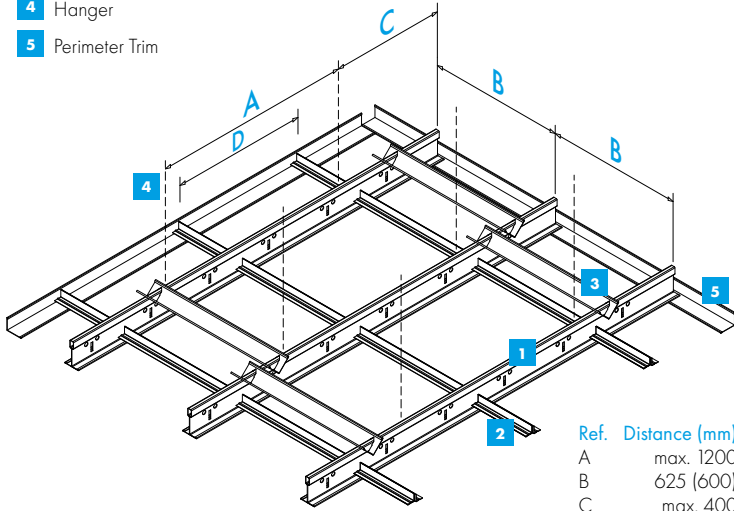


Item reference	Dimensions (mm)			Content/carton		Weight/carton kg	Cartons/ pallet
	Length	Width	Height	pcs	lm		
Z-Profile							
DCZ30 1500	1500	19	30,5	20	30	10.2	36
DCZ30 1800	1800	19	30,5	20	36	12.3	36
DCZ66 2000	2000	19	66,5	10	20	9.7	36
DCZ66 2500	2500	19	66,5	10	25	12.1	36
DCZ12 4000	4000	19	20	20	80	26	50
DCZ57 4000	4000	19/35	57	10	40	28	50
C-Profile							
DCU38 150	1500	12	38	20	30	12.2	40
DCU38 180	1800	12	38	20	36	14.9	40
DCU38 200	2000	12	38	20	40	16.3	40
DCU38 400	4000	12	38	20	80	37	40
L-Profile							
VA/K30	300	11	11	200	60	5	64
VA/K60	600	11	11	200	120	10	64
VA/K62,5	625	11	11	200	125	10.6	64
T-Profile							
DCT-19/13 60	600	19	13	100	60	9.1	64
DCT-19/13 62,5	625	19	13	200	125	9.2	64
Spacer Bars							
DMK-30	300	24	24	50	15	3.2	144
DMK-60	600	24	24	50	30	5.4	72
DMK-62,5	625	24	24	50	31,25	5.6	72
DMK-120	1200	24	24	50	60	10.6	36
DMK-125	1250	24	24	50	62,5	11	36
DMK-150	1500	24	24	50	75	13.2	36
DMK-180	1800	24	24	50	90	15.9	36

System Drawings - System A | F | I

System A 1.2

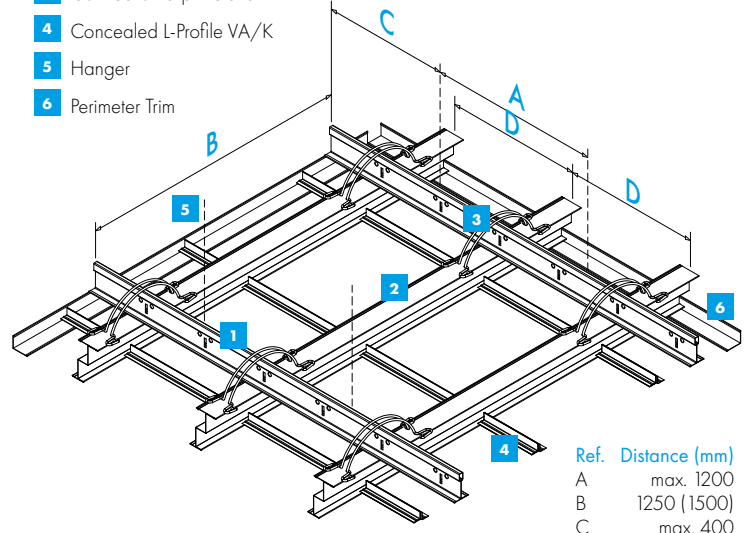
- 1** Main Runner
- 2** Concealed L-Profile VA/K
- 3** Concealed Spacer Bar DMK
- 4** Hanger
- 5** Perimeter Trim



Ref.	Distance (mm)
A	max. 1200
B	625 (600)
C	max. 400
D	625 (600)

System A 1.3

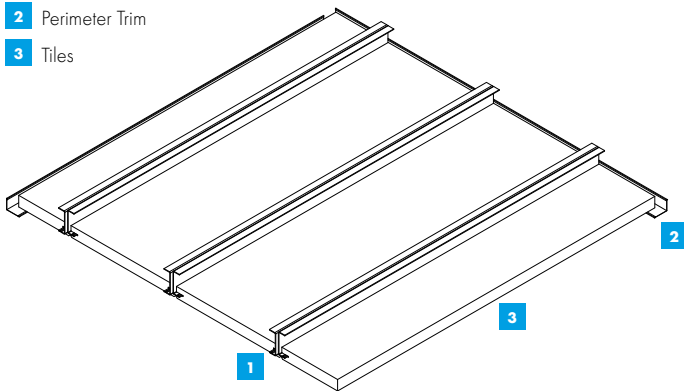
- 1** Main Runner
- 2** DCZ57
- 3** Connection clip DCC15
- 4** Concealed L-Profile VA/K
- 5** Hanger
- 6** Perimeter Trim



Ref.	Distance (mm)
A	max. 1200
B	1250 (1500)
C	max. 400
D	625 (600)

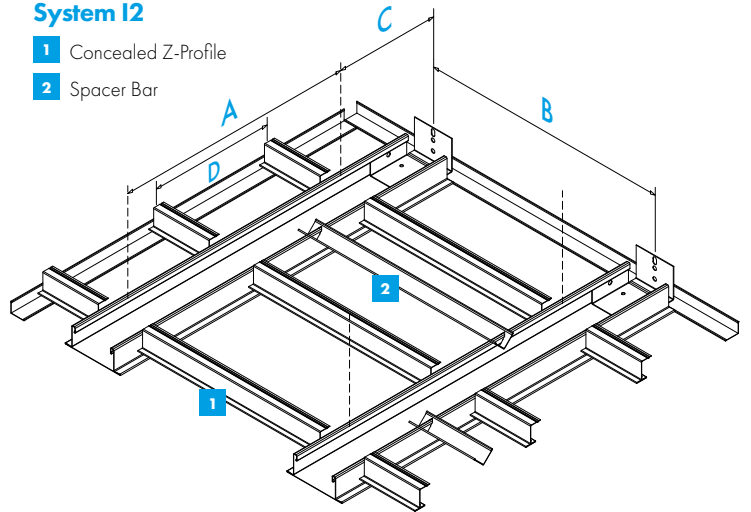
System F 1.1

- 1** Concealed C-Profile DCU38
- 2** Perimeter Trim
- 3** Tiles



System I2

- 1** Concealed Z-Profile
- 2** Spacer Bar



Fire reaction	Euroclass A1 as per EN 13501-1	RUS KMO (NG) / KM1 (G1, V1, D1, T1) as per 123-FZ
Indoor air quality	A+ ISO 3	
Cleanability		
Sustainability	25%	
Design options		

All measurements in millimetres. All sizes are nominal.

Products may vary from country to country. Please contact your local sales representative.
 For further information and legal notice, please visit our website.
knaufceilingssolutions.com